

LEXICON - SKETCHUP ASSEMBLY INSTRUCTIONS

NOTES:

- 1) Component files available for download on 3D Warehouse (search for Maglin)
- 2) Sketchup components do not represent parts exactly as they are manufactured.
- 3) Reference **INST_LXM1500-SS** for information regarding on site assembly and installation instructions.
- 4) If desired reference **Lexicon Sell Sheet** for components list, and more detail regarding assembly rules.

ASSEMBLY TIPS:

Turn shade mode to X-ray
ON to make assembly of
components easier

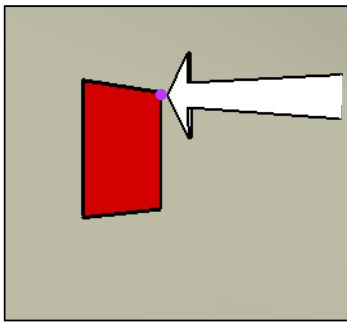
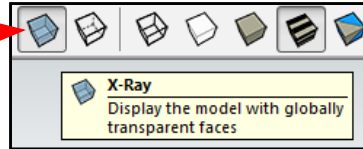


Fig 1

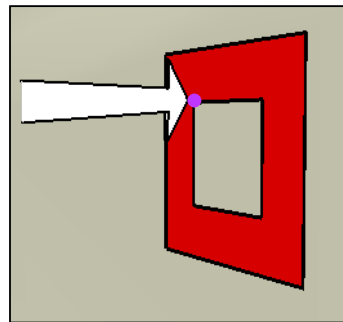


Fig 2

RED squares indicate where parts must be attached to complete the assembly.

Line up solid squares with border squares, use corners to assist components alignment Fig 1 and 2 (see purple dot).

If RED squares are visible assembly is incomplete or components are misaligned.

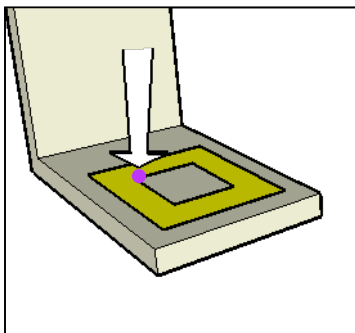


Fig 3

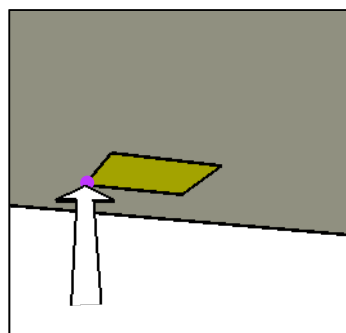


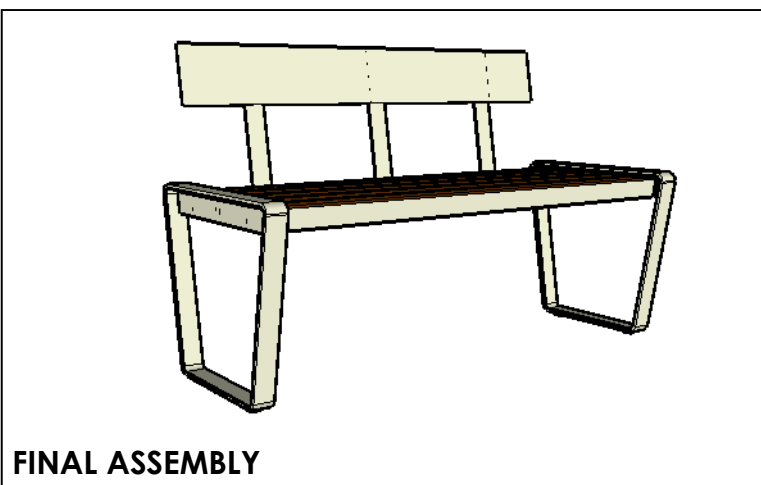
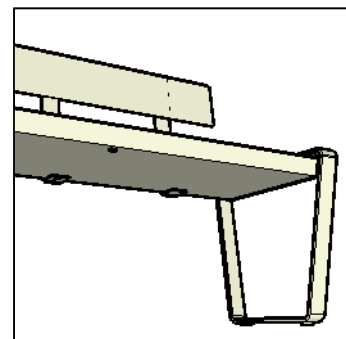
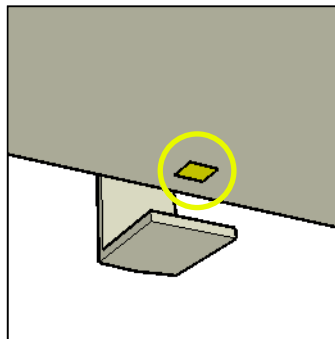
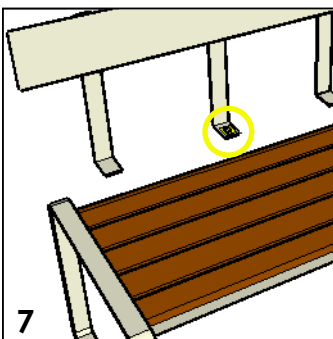
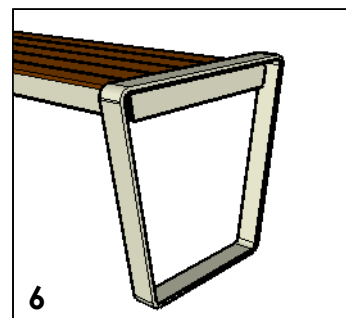
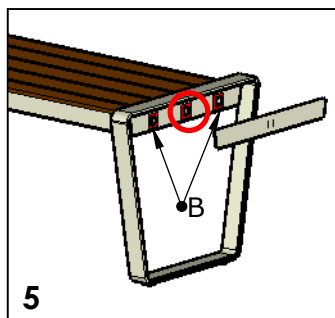
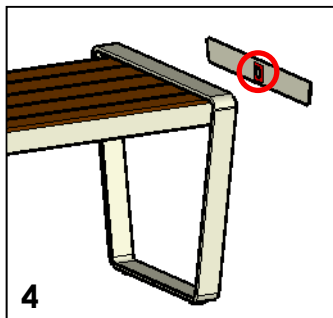
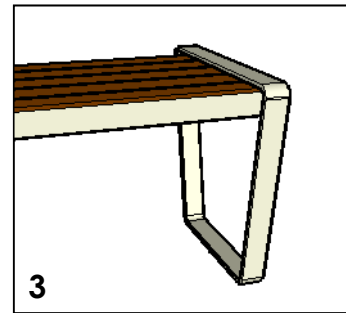
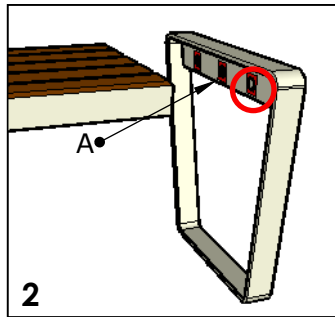
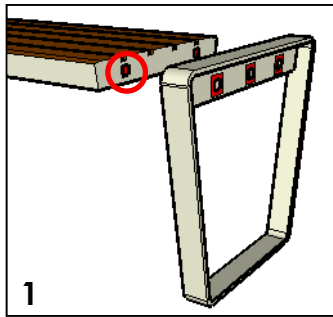
Fig 4

YELLOW squares indicate where components are optional in assembly.

Line up solid squares with border squares, use corners to assist parts alignment Fig 3 and 4 (see purple dot).

If YELLOW squares are visible assembly is misaligned.

EXAMPLE:



NOTES:

Using the assembly methods described on page 1 the RED and YELLOW squares can be aligned with each other.

Note that at points A and B the squares will be covered and will not align with another square. As long as any set of the same coloured border and solid square align the assembly is correct.