



T 800-716-5506  
F 877-260-9393  
WWW.MAGLIN.COM  
SALES@MAGLIN.COM

## MBR970 SERIES

### Recommendations:

- MBR970 accomodates 2 bicycles per rack
- bike racks should be installed 32" - 36" apart on center when facing one another. See diagram 1.
- bike racks should be installed 72" apart on center when facing outwards. See diagram 2.

diagram 1

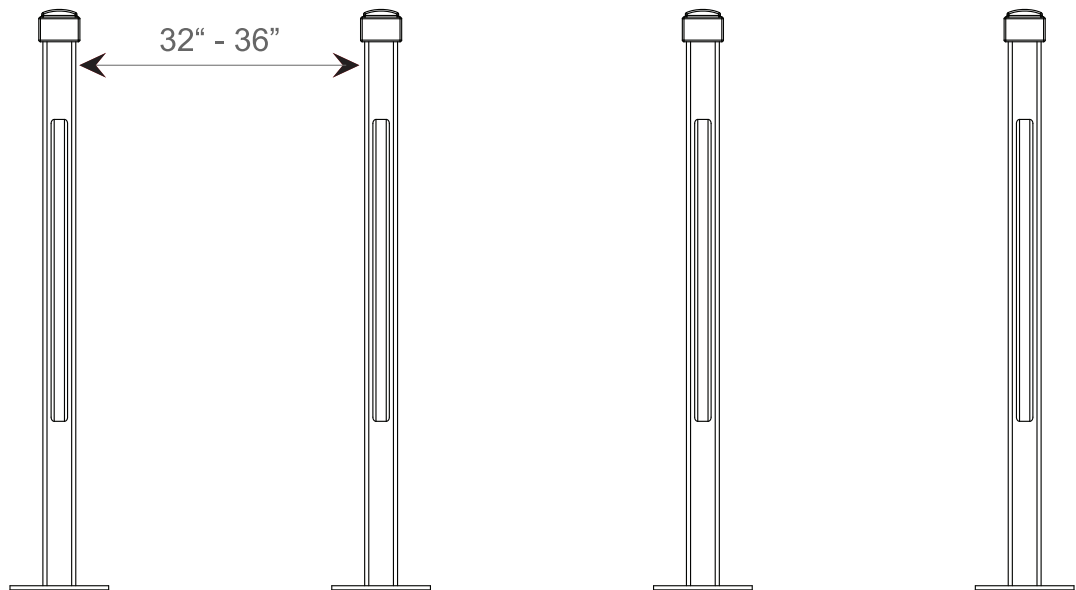


diagram 2

